

Primary Current (A)	VA
100	1
150	1.5
200	2.5
250	
300	
400	5
500	
600	
800	

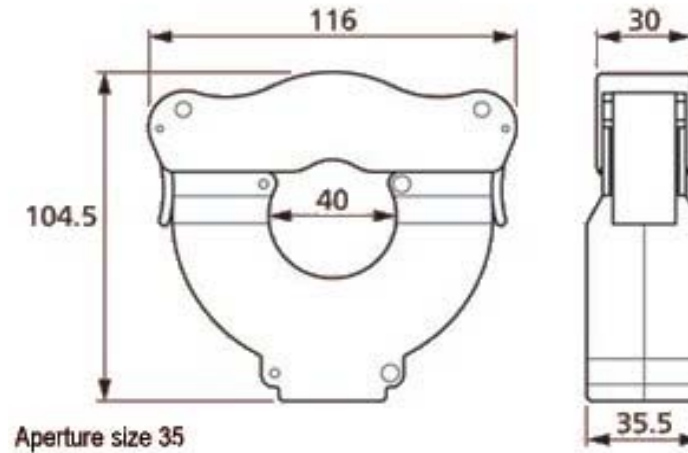
Class 1 available for all values

Connections:

Flying leads – 1m length
 Red – Secondary 1
 Black – Secondary 2

Primary is indicated on label of body
 Supply – P1
 Load – P2

☞ Polarity is important.



Rev	Date	DCN	Description, checked
Project CT			
TITLE Clip type split core CT			
Drawing No. SHM2138			Sheet 1 of 1

Tolerances etc.:
 Dimensions in mm unless stated.
 Whole numbers + 0.5mm
 1 Dec pl. + 0.1mm
 Angles + 0.5 Degree
 Threads ISO metric coarse (med fit)
 RS3643 unless stated

