

# MTW 90°C

## Multi-jet warm water meter



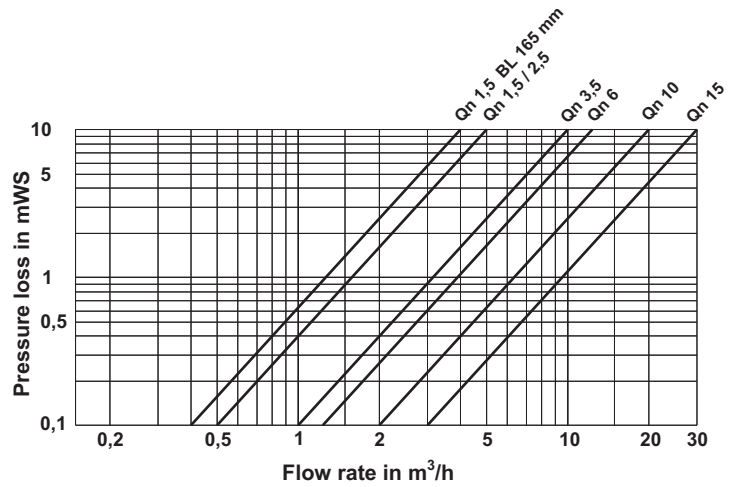
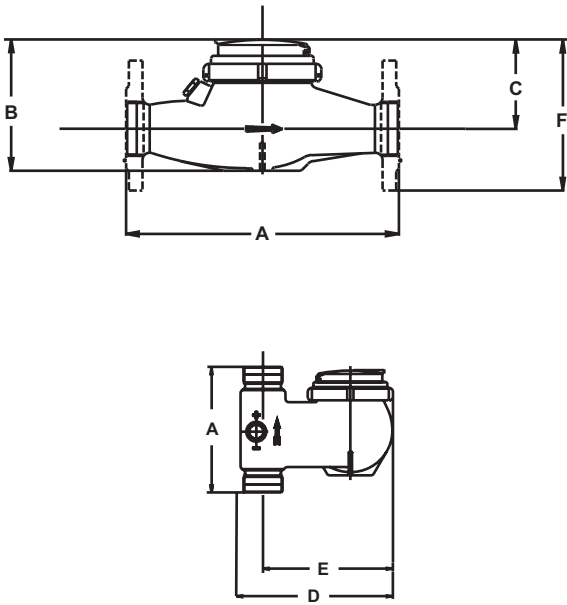
### Technical features

- Multi-jet impeller wheel, super dry dial
- Max. operating temperature 90°C
- Max. operating pressure PN 16
- Horizontal or vertical installation
- Class B (measuring range 1:50)
- Counter (vacuumated) can be turned to any position on site
- Reconditionable and recyclable execution
- Excellent measuring accuracy and reliability of operation
- Inlet strainer
- High-grade wear-resistant and corrosion-proof materials
- Option:  
With pulse generator IPG 10 for transmission to central or remote displays (pulse values: 10 / 100 litres)
- Manufactured according to ISO 9001
- Different approvals (e.g. according to OIML, EG)

**SHM Communications**  
**Winchester SO23 0HU**  
**01962 865142**  
**[www.shmcomms.co.uk](http://www.shmcomms.co.uk)**

## Dimensions

## Pressure loss curve



## Technical data

Execution		MTW / MTWH								MTW(H)-VS or -VF <sup>1</sup>				
Nominal diameter	DN mm	15	20	20	25	32	40	50	20	25	32	40		
Connection thread on meter	inch G...B	3/4	1	1	1 1/4	1 1/2	2	2 3/8	1	1 1/4	1 1/2	2		
Connection thread on coupling	inch R...	1/2	3/4	3/4	1	1 1/4	1 1/2	2	3/4	1	1 1/4	1 1/2		
Max. operating pressure (threaded)	bar	16								16				
Max. operating pressure (flanged)	bar	25								-				
Nominal flow rate	Qn m³/h	1,5	1,5	2,5	3,5	6	6	10	15	1,5	2,5	3,5	6	10
Maximal flow rate	Qmax m³/h	3	3	5	7	12	12	20	30	3	5	7	12	20
Partial limit ±3% from	Qt l/h	120	120	200	280	480	480	800	1200	120	200	280	480	800
Minimal flow rate ±5% from	Qmin l/h	30	30	50	70	120	120	200	300	30	50	70	120	200
Pressure loss at approx. 2/3 Qn	bar	0,1								0,1				
<b>A Length without couplings</b>	<b>mm</b>	<b>165<sup>2</sup></b>	<b>165<sup>3</sup></b>	<b>220<sup>4</sup></b>	<b>260</b>	<b>260</b>	<b>260</b>	<b>300</b>	<b>300</b>	<b>105</b>	<b>105</b>	<b>150</b>	<b>150</b>	<b>200</b>
Length with couplings	mm	244	263	318	378	378	438	458	503	203	203	268	268	338
B Total meter height	mm	111	111	117	122	122	123	150	164	-	-	-	-	-
C Meter height from pipe centre line	mm	76	76	77	79	79	80	104	107	-	-	-	-	-
D Meter depth	mm	-	-	-	-	-	-	-	-	146	146	171	174	225
E Meter depth from pipe centre line	mm	-	-	-	-	-	-	-	-	125	125	145	146	190
F Meter height - flanged version	mm	-	-	124	131	131	141	172	184	-	-	-	-	-
Meter width	mm	97	97	97	103	103	103	136	150	97	97	103	103	139
<b>A Length with flanges PN 16</b>	<b>mm</b>	-	-	<b>190</b>	<b>260</b>	<b>260</b>	<b>260</b>	<b>300</b>	<b>300<sup>5</sup></b>	-	-	-	-	-
Flange external diameter	mm	-	-	105	115	140	140	150	165	-	-	-	-	-
Hole circle diameter	mm	-	-	75	85	100	100	110	125	-	-	-	-	-
Number of screws	ea.	-	-	4	4	4	4	4	4	-	-	-	-	-

Other executions on request

<sup>1)</sup> ...-VS = vertical riser

...-VF = vertical down pipe

<sup>2)</sup> Also supplied in length 110 mm

<sup>3)</sup> Also supplied in length 190 mm or 220 mm

<sup>4)</sup> Also supplied in length 190 mm

<sup>5)</sup> Also supplied in length 270 mm

**SHM Communications**  
**Winchester SO23 0HU**  
**01962 865142**  
**www.shmcomms.co.uk**